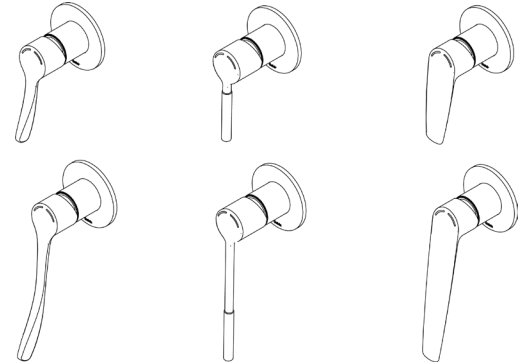


GalvinAssist® Lead Safe™ Shower Mixer Set



For WaterMark information, refer to 113.22.00.XX



CHROME FINISH

113.62.61.03 - Long Flared Handle H&C - Black
113.62.63.03 - Long Flared Handle H&C - Aqua Blue
113.62.64.03 - Long Flared Handle H&C - Apple Green
113.62.65.03 - Long Flared Handle H&C - Ruby Red
113.62.66.03 - Long Flared Handle H&C - Coral
113.62.67.03 - Long Flared Handle H&C - Steel Blue

113.62.41.03 - Long Pin Handle H&C - Black
113.62.43.03 - Long Pin Handle H&C - Aqua Blue
113.62.44.03 - Long Pin Handle H&C - Apple Green
113.62.45.03 - Long Pin Handle H&C - Ruby Red
113.62.46.03 - Long Pin Handle H&C - Coral
113.62.47.03 - Long Pin Handle H&C - Steel Blue

113.62.20.03 - Long Paddle Handle H&C
113.62.20.04 - Long Paddle Handle W&C

BRUSHED CARBON FINISH

113.72.62.03 - Long Flared Handle H&C - White

113.72.42.03 - Long Pin Handle H&C - White

113.72.20.03 - Long Paddle Handle H&C

113.62.51.03 - Short Flared Handle H&C - Black
113.62.53.03 - Short Flared Handle H&C - Aqua Blue
113.62.54.03 - Short Flared Handle H&C - Apple Green
113.62.55.03 - Short Flared Handle H&C - Ruby Red
113.62.56.03 - Short Flared Handle H&C - Coral
113.62.57.03 - Short Flared Handle H&C - Steel Blue

113.62.31.03 - Short Pin Handle H&C - Black
113.62.33.03 - Short Pin Handle H&C - Aqua Blue
113.62.34.03 - Short Pin Handle H&C - Apple Green
113.62.35.03 - Short Pin Handle H&C - Ruby Red
113.62.36.03 - Short Pin Handle H&C - Coral
113.62.37.03 - Short Pin Handle H&C - Steel Blue

113.62.10.03 - Short Paddle Handle H&C
113.62.10.04 - Short Paddle Handle W&C

113.72.52.03 - Short Flared Handle H&C - White

113.72.32.03 - Short Pin Handle H&C - White

113.72.10.03 - Short Paddle Handle H&C

SPECIFICATIONS

- Replaceable top assemblies are supplied for easy maintenance.
- Simple servicing and readily available parts.
- Quality controlled.
- Lead Safe™ brass construction*.

IMPORTANT:

*Our Lead Safe™ product range is compliant with the Lead Free Requirements of the NCC 2022 Vol. Three, Clause A5G4(2) and NSF/ASNI 372.
* Any flow controller incorporated in the outlet to be tightened to prevent removal by hand. As Per AS3718

WARNINGS: Special attentions to be paid on notes, photos, images, or drawings of assembly steps marked with the warning symbol.



TECHNICAL DATA

Inlet	½" BSP - Female	
Outlet	½" BSP - Female	
Headworks	Ceramic Disc	
Working Pressure Range (kPa)	Min	150
	Max	500
Working Temperature Range (°C)	Min	5
	Max	60
Nominal Flow Rate (LPM)	N/A	
Construction	Lead Free Brass	
Finish	Chrome / Brushed Carbon	

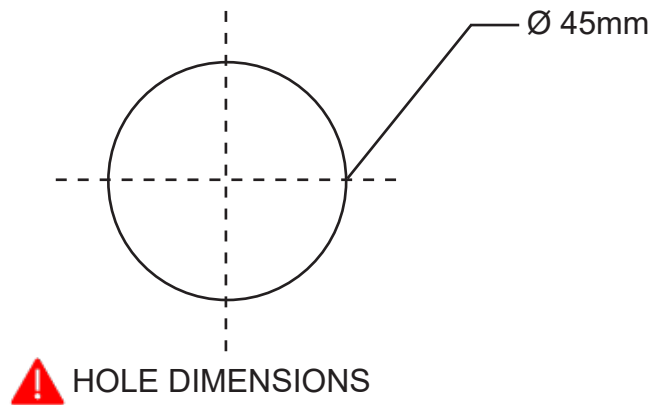
NOTE: Galvin Engineering continually strive to improve their products. Specifications may change without notice

TOOLS REQUIRED

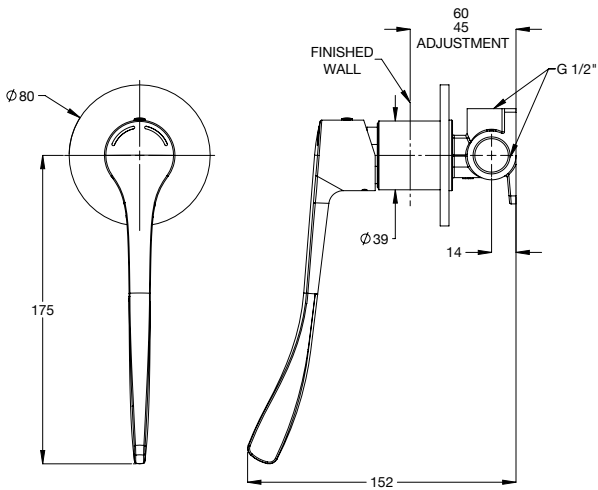
- Power Drill

PRE-INSTALLATION

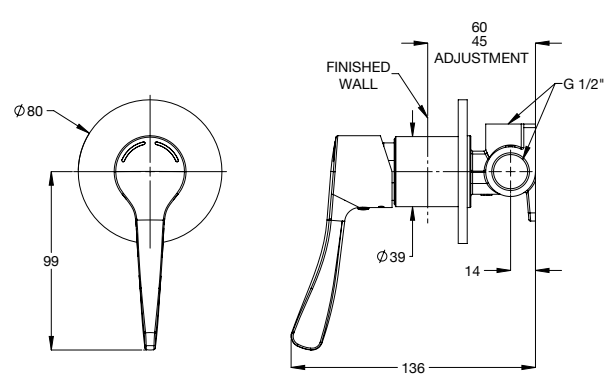
- Before installation, all lines must be flushed.
- Galvin Engineering recommends the installation of strainers and pressure reducing valves (when necessary) to ensure clean consistent supply. Debris or poor water quality could affect the performance of the unit.
- If the mounting hole does not already exist, mark out and drill the holes on the bench, as shown in rough-in dimensions.



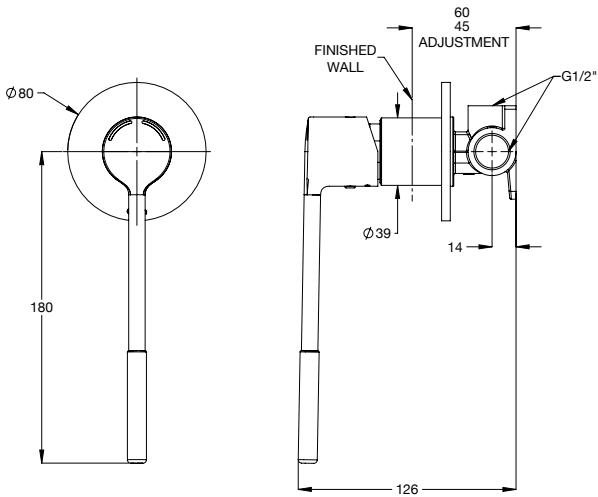
DIMENSIONS



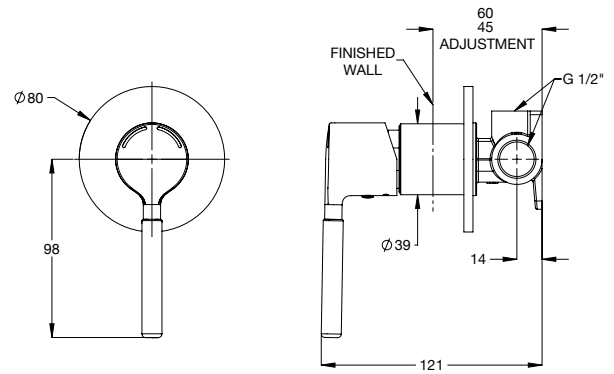
113.62.6X.XX & 113.72.6X.XX
Long Flared Handle



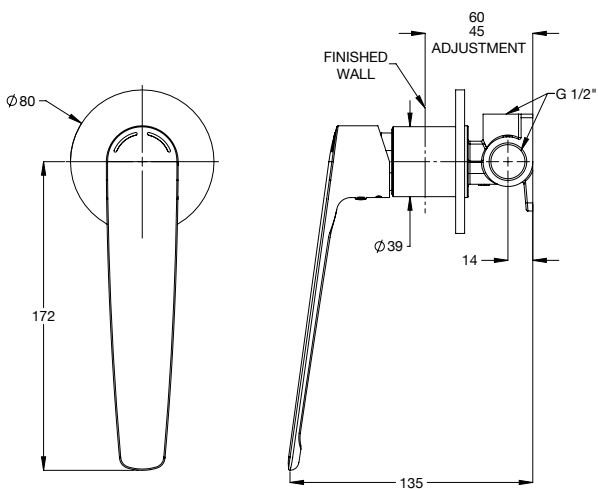
113.62.5X.XX & 113.72.5X.XX
Short Flared Handle



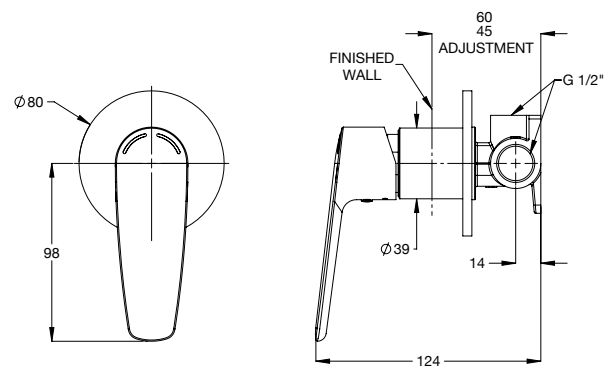
113.62.4X.XX & 113.72.4X.XX
Long Pin Handle



113.62.3X.XX & 113.72.3X.XX
Short Pin Handle



113.62.2X.XX & 113.72.2X.XX
Long Paddle Handle

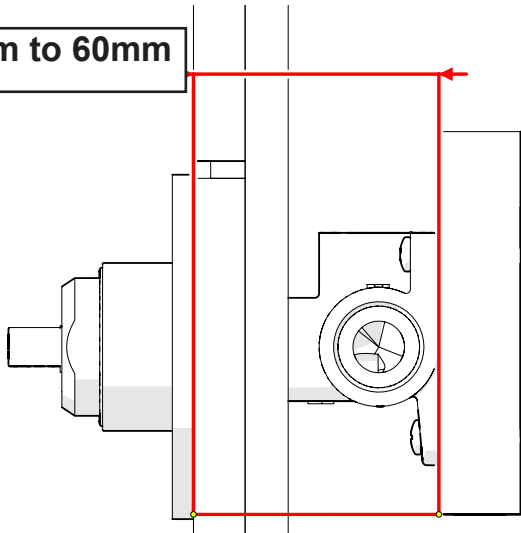


113.62.1X.XX & 113.72.1X.XX
Short Paddle Handle

INSTALLATION

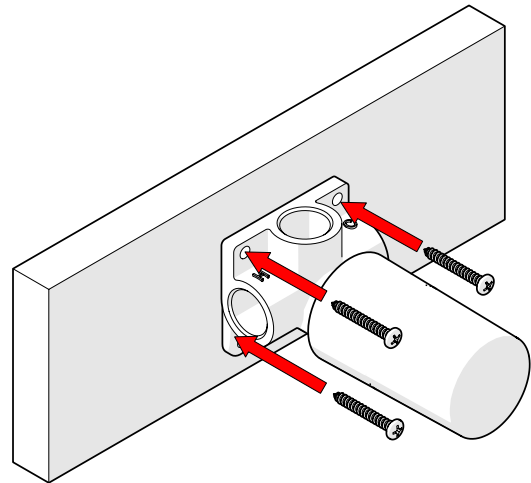
INSTALLATION COMPLIANCE: Galvin Engineering products must be installed in accordance with these installation instructions and in accordance with AS/NZS 3500, the PCA and your local regulatory requirements. Water and/or electrical supply conditions must also comply to the applicable national and/or state standards. Failing to comply with these provisions shall void the product warranty and may affect the performance of the product.

45mm to 60mm



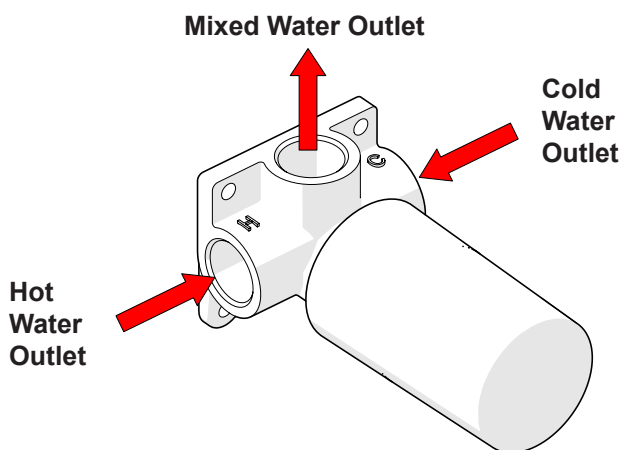
1. Adjustment Range

- Adjustment range from the finished face of the tiles to the back of breach is 45mm to 60mm as shown.



2. Secure Mixer Body

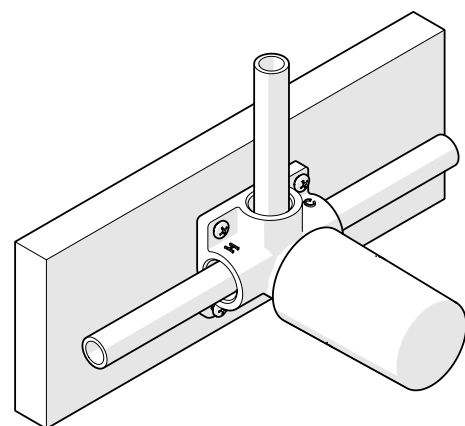
- Secure the Mixer Breach onto wall,
- Ensure body falls within adjustment range.
- Ensure that the mixer body is level.



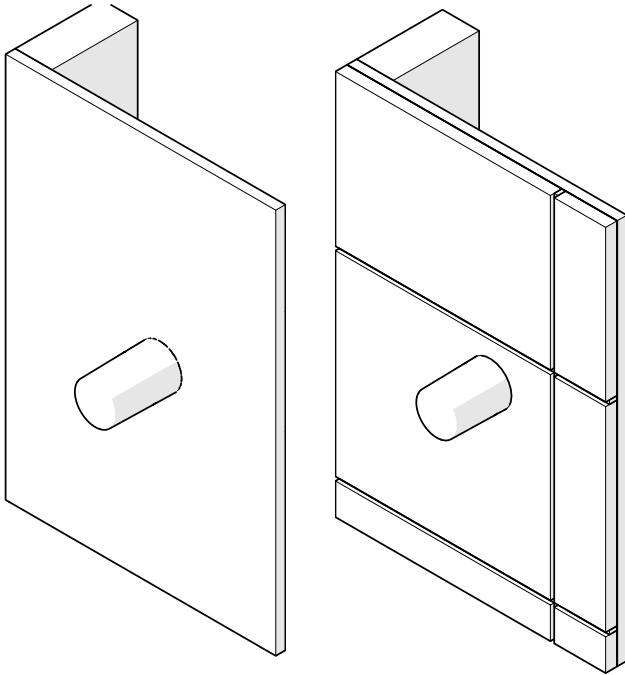
3. Fit Water Connections

- Ensure water supply lines are flushed before connecting.
- Fit the water connections as shown.
- Ensure thread tape/sealant is used.

Note: This wall shower is not fitted with a flow restrictor. Never operate without a flow restrictor, as outlet will deliver full mains pressure with unrestricted flow.

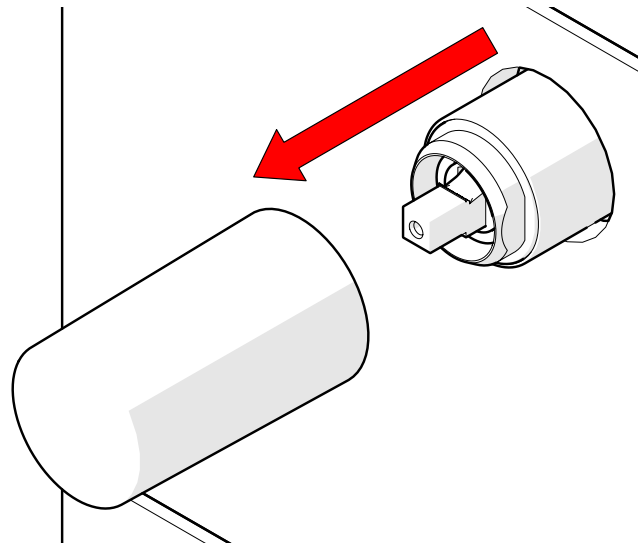


! PRESSURE TEST AND CHECK FOR LEAKS



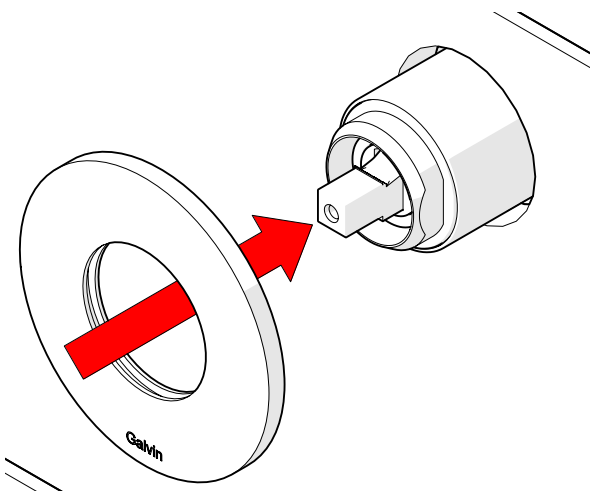
4. Finished Wall

- Drill a 45mm diameter hole in the sheet and tile.



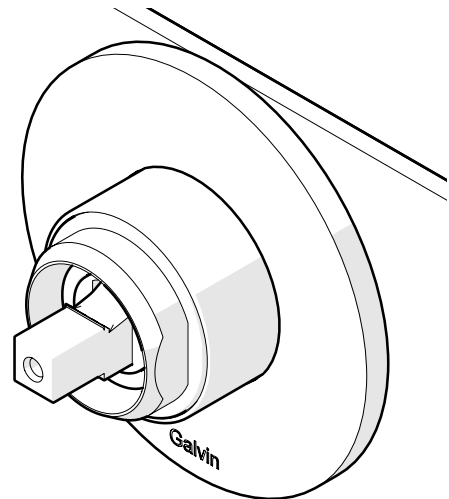
5. Protective Cover

- Remove protective cover once mixer is ready for fit off.

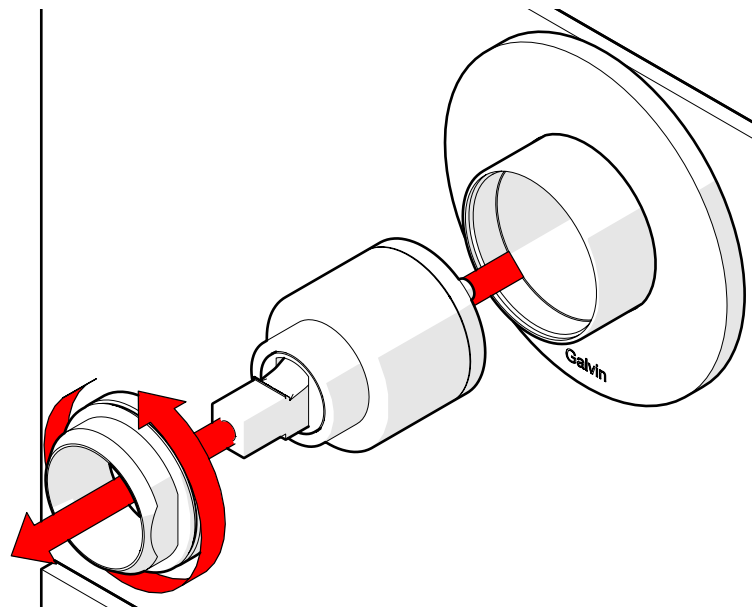


6. Dress plate

- Push Dress plate over mixer body ensuring it is flush with finished wall.



REMOVE & INSPECT CARTRIDGE



1. Remove Cartridge

- Unscrew mixer Locknut and remove Cartridge.
- Inspect for debris and clean. Replace if necessary.
- Once cleared reverse above actions.



Note: For cartridge replacement, please contact Galvin Engineering.

TROUBLESHOOTING

PROBLEM	CAUSE	RECTIFICATION
Wall shower is dripping water	Headworks are worn or damaged	Remove and inspect the headworks, remove debris and/or replace o-rings or parts if damaged
Leak from behind body	Insufficient sealant	Apply more thread tape or sealant to create a better seal

WARRANTY

Galvin Engineering products are covered under our Manufacturer’s Warranty. Galvin Engineering products must be installed in accordance with the installation instructions and in accordance with AS 3500 and NCC Volume Three, relevant Australian Standards and local authorities applicable to product being installed. Water and electrical supply conditions must also comply to the applicable national and/or state standards, failing to comply with these provisions may void the product warranty and affect performance of the product.

Please visit www.galvinengineering.com.au to view the full warranty, our Installation Compliance and Maintenance & Cleaning information as well as any other additional information.